

PAT MODEL TABLE

MODEL	d-c OUTPUT RANGE		OUTPUT IMPEDANCE ⁽¹⁾			
			VOLTAGE MODE		CURRENT MODE	
			SERIES RESISTANCE	SERIES INDUCTANCE	SHUNT RESISTANCE	SHUNT CAPACITANCE
	VOLTS	AMPS				
PAT 7-2	0-7	0-2	0.2mΩ	1μH	250KΩ	2.9KμF
PAT 15-1.5	0-15	0-1.5	0.5mΩ	1μH	333KΩ	2.0KμF
PAT 21-1	0-21	0-1	1mΩ	1μH	500KΩ	1.4KμF
PAT 40-0.5	0-40	0-0.5	4mΩ	1μH	1.0MΩ	950μF
PAT 72-0.3	0-72	0-0.3	12mΩ	1μH	1.6MΩ	375μF
PAT 100-0.2	0-100	0-0.2	25mΩ	1μH	2.5MΩ	275μF

1) The tabulated shunt resistance applies for current stabilization using external sensing and feedback. The shunt resistance for the internal sensing mode is $E_{\text{I}}/5\text{mA}$.

PAT GENERAL SPECIFICATIONS

SPECIFICATION	CONDITION	RATING/DESCRIPTION
INPUT		
a-c Voltage	User selectable	105-125, 210-250
Current	Max load, 125V a-c	0.45 Amps rms
Frequency	Range	50-440Hz
OUTPUT		
d-c Output	Series pass	Transistor
Type of stabilizer	Volt stabilizer	Automatic crossover Current limit
Voltage	Adjustment range for temp -20°C to 71°C	0 to 100% of rating
Current		0 to 100% of rating
Error sense	Voltage allowance	0.5V per load wire
Isolation voltage	Output to ground	500V d-c or peak
Leakage current	rms at 115V a-c	<5 microamperes
Output to ground	p-p at 115V a-c	<50 microamperes
Series connection	Max voltage off grd.	500V
Parallel connection	Automatic	Use current mode limiting
	Current sharing	Use master-slave connection
	Redundancy type	External steering diodes
OVP (option on PTR. Add suffix "-VP". Not available, PAT)	Type	Crowbar
	Setting range	4.8V-110% E ₀
	Threshold	5% E ₀ max. or 0.5V, whichever is greater
	Temp. effect on setting	±0.03% / °C

PAT GENERAL SPECIFICATIONS

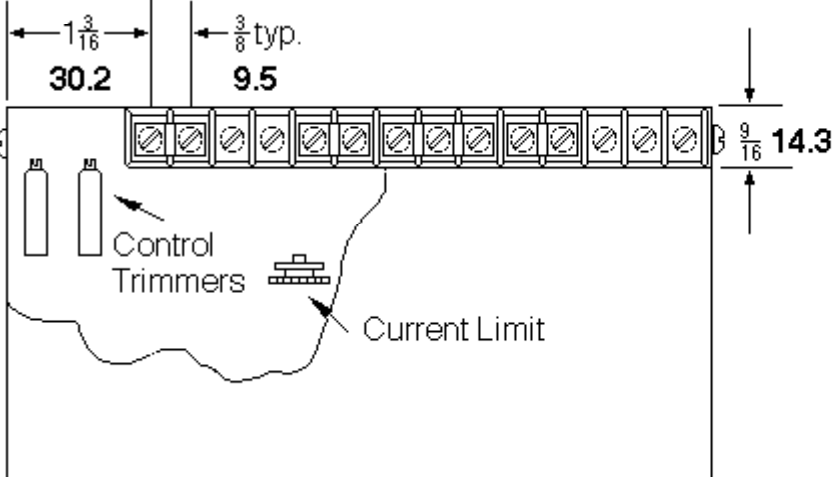
SPECIFICATION	CONDITION	RATING/DESCRIPTION
CONTROL		
Type	Voltage	Variable gain
	Current	Differential comparison
Voltage	Remote analog	0 to 1mA
	Remote digital	Use SN digital to analog converter
Current	Remote analog	0 to 0.5V d-c
	Remote digital (PTR only)	Use SN digital to analog converter
Dynamics	Normal (slow) only	$dV/dt=I/C$ (see tabulated C)
MECHANICAL		
Input connection	All models	Barrier strip
Output connection	All models	Barrier strip
Mounting	Use 6-32 hardware to recessed captive nuts.	For rack mounting, use adapter RA 26-1, RA 27-2, or RA 28-4.
Dimensions (HxWxD)	inches mm	$4\frac{7}{8} \times 6\frac{3}{8} \times 3\frac{1}{2}$ 84.9 x 161.9 x 123.8
Finish	All models	Black anodized aluminum
Weight (packed for shipment)	6lb (2.7Kg)	

PAT STATIC SPECIFICATIONS

Source Voltage (min.-max.)	<0.0005%	<0.005%	<10 μ V	<2nA	<0.0001%
Load No load-full load	<0.005% or 0.2mV(2)	<0.01%	<200 μ V	<5nA	—
Time 8-hours (drift)	<0.01% or 1mV(2)	<0.02%	<20 μ V	<2nA	<0.005%
Temp. Per °C	<0.01%	<0.02%	<20 μ V	<5nA	<0.005%
Ripple and Noise(4)	rms p-p(5)	<0.1mV <0.5mV	<0.2% of I _o max <0.1% of I _o max	— —	— —

Fractional dimensions in light face type are in inches, dimensions in bold face type are in millimeters.

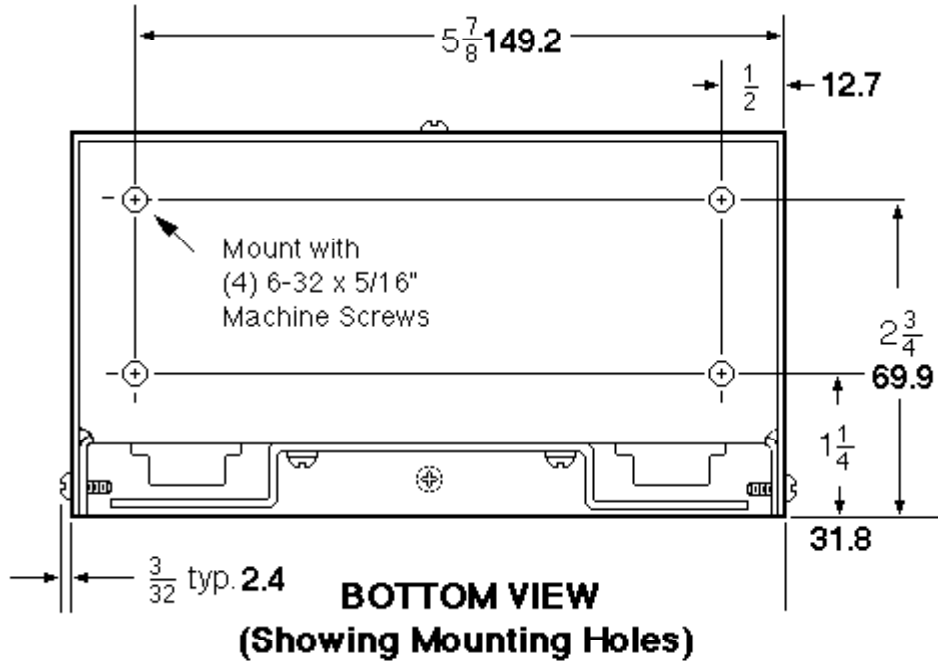
Tolerance: $\pm 1/64$ " (0.4) between mounting holes; $\pm 1/32$ " (0.8) other dimensions



TOP VIEW

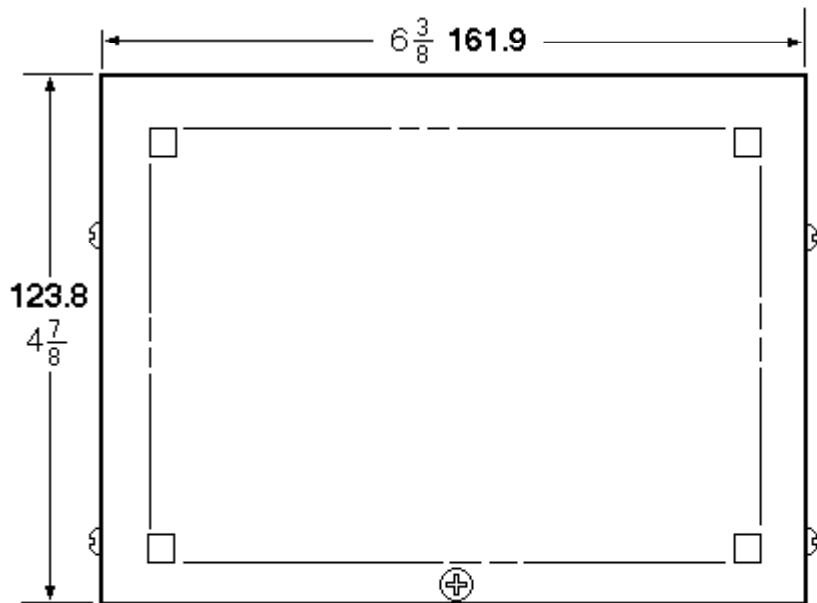
Fractional dimensions in light face type are in inches, dimensions in bold face type are in millimeters.

Tolerance: $\pm 1/64$ " (0.4) between mounting holes; $\pm 1/32$ " (0.8) other dimensions



Fractional dimensions in light face type are in inches, dimensions in bold face type are in millimeters.

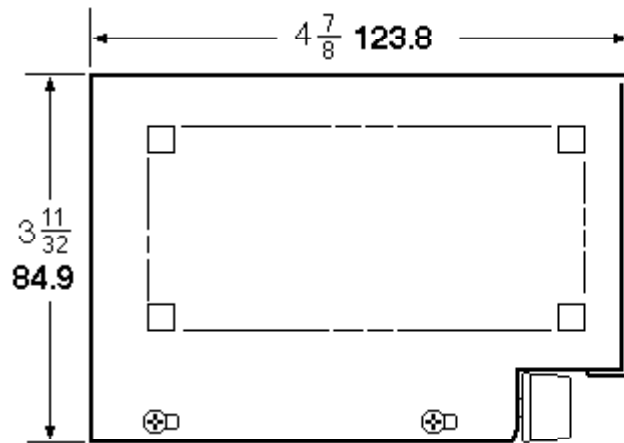
Tolerance: $\pm 1/64$ " (0.4) between mounting holes; $\pm 1/32$ " (0.8) other dimensions



REAR VIEW

Fractional dimensions in light face type are in inches, dimensions in bold face type are in millimeters.

Tolerance: $\pm 1/64$ " (0.4) between mounting holes; $\pm 1/32$ " (0.8) other dimensions



SIDE VIEW

Available from



CALTEST
Instruments Ltd
Specialists in power
and instrumentation

Power sources and test instrumentation solutions

Caltest have been providing power sources and test instrumentation solutions for over 20 years and are proud to represent a number of industry leading manufacturers.

As well as supplying world class power sources and test instrumentation Caltest also has a service centre and UKAS calibration laboratory.

NEED HELP?

CALL US:

01483 302 700

or visit our website for more details

Caltest Instruments Ltd
4 Riverside Business Centre
Walnut Tree Close
Guildford
Surrey GU1 4UG
United Kingdom

Tel: +44 (0) 1483 302 700

Fax: +44 (0) 1483 300 562

sales@caltest.co.uk

www.caltest.co.uk

Sales • Rentals • Service • UKAS Calibration

